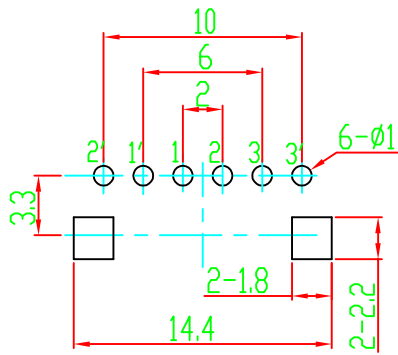
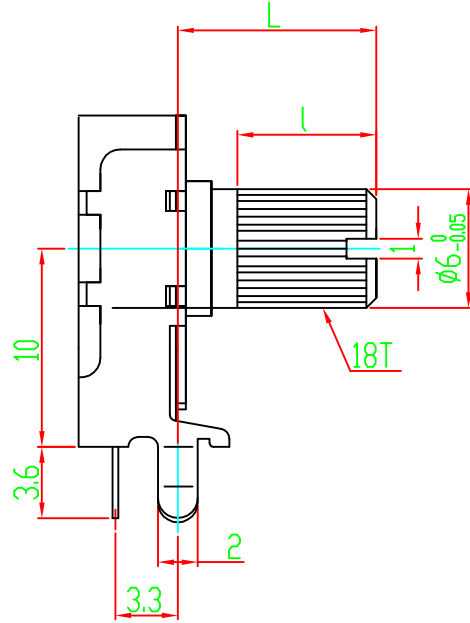
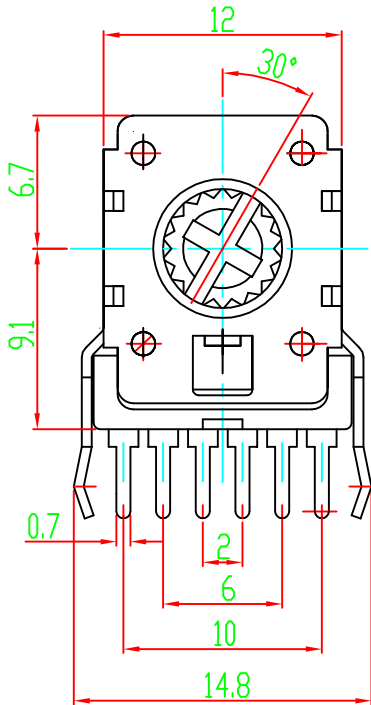


Shaft Shown in Full  
C.C.W. Position



P.C.B MOUNTING DETAIL

L	10	15	20	30
l	7	7	12	12

02				05			
01				04			
	DATE	REVISION	APPROVED	03			
			DRAWING NO:				
			MODEL: WH124-3 L20 18T “一”字开口				
			 <b>常州宇豪电子有限公司</b> CHANGZHOU YUHAO ELECTRONIC CO.,LTD.				
DRAW	CHKD	APPD					