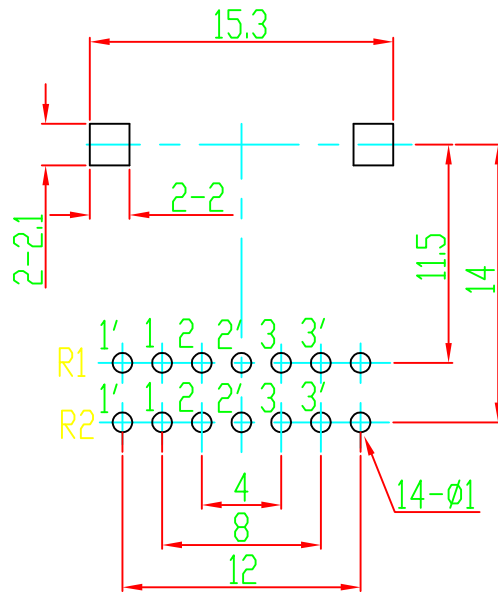
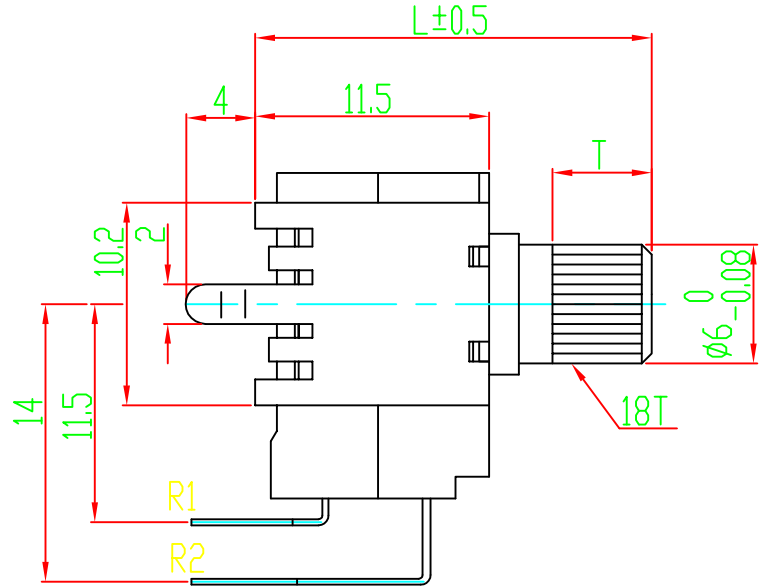
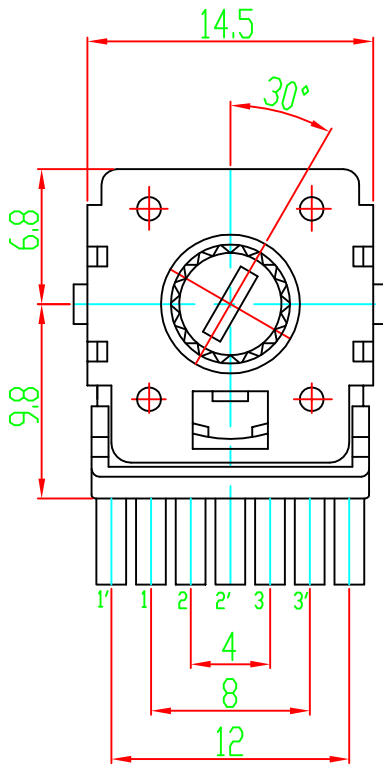


Shaft Shown in Full  
C.C.W. Position



P.C.B MOUNTING DETAIL

L	18	20	25
T	3	6	7

02				05					
01				04					
	DATE	REVISION	APPROVED	03					
			MODEL: WH1405 L20 18T "一"字不开口				DRAWING NO:		
			 <b>常州宇豪电子有限公司</b> CHANGZHOU YUHAO ELECTRONIC CO.,LTD.						
DRAW	CHKD	APPD							