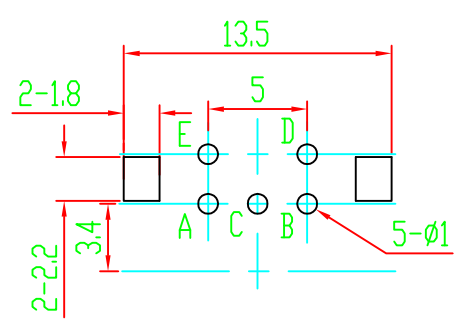
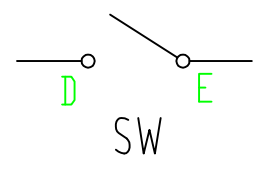
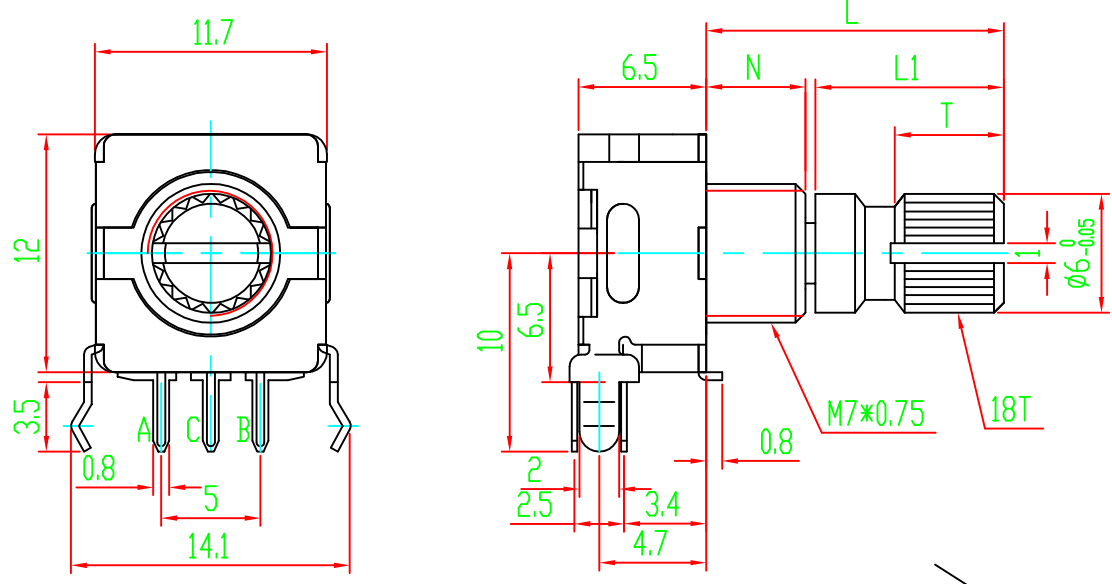


Shaft Shown in Full
C.C.W. Position



P.C.B MOUNTING DETAIL

L		15	✓
L1		9.5	✓
T		5	✓
N		5	✓

02				05		
01				04		
	DATE	REVISION	APPROVED	03		

MODEL: EC11-2S-D5*6.5-L15KQ 螺纹轴套

DRAWING NO:



常州宇豪电子有限公司

CHANGZHOU YUHAO ELECTRONIC CO.,LTD.

DRAW	CHKD	APPD
------	------	------