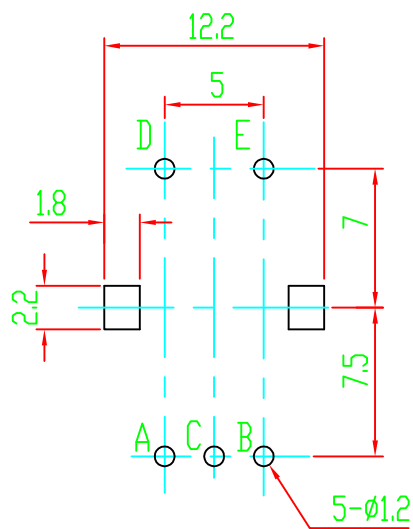
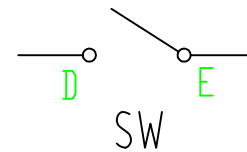
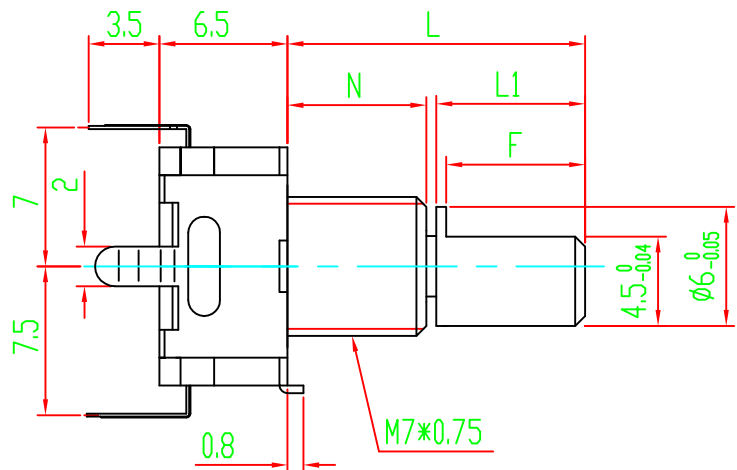
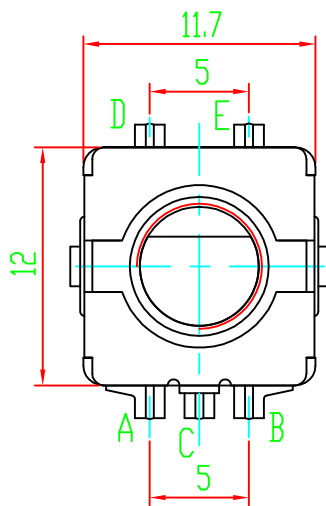


Shaft Shown in Full  
C.C.W. Position



P.C.B MOUNTING DETAIL

L	13	15	15	18	20	23.5	24.5	25	30
L1	5.5	7.5	7.5	10.5	12.5	16	17	17.5	22.5
F	5	5	7	7	10	12	12	12	12
N	7	7	7	7	7	7	7	7	7

02				05			
01				04			
	DATE	REVISION	APPROVED	03			

MODEL: EC11-1S-D7\*6.5-L25F12 螺纹轴套

DRAWING NO:



常州宇豪电子有限公司

CHANGZHOU YUHAO ELECTRONIC CO.,LTD.

DRAW	CHKD	APPD
------	------	------