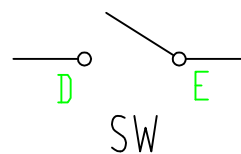
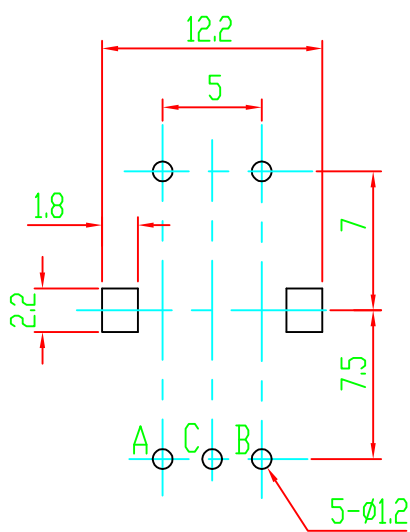
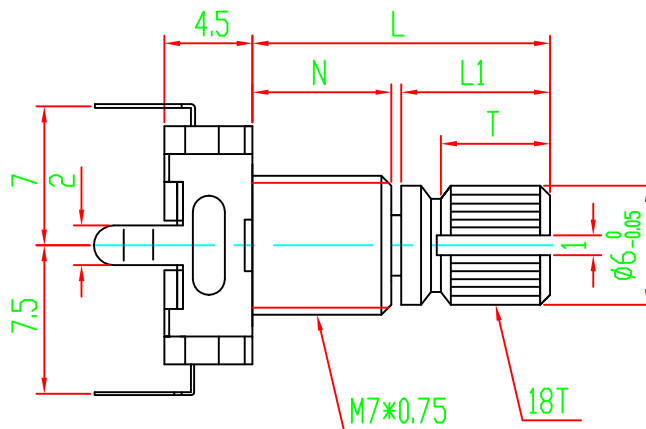
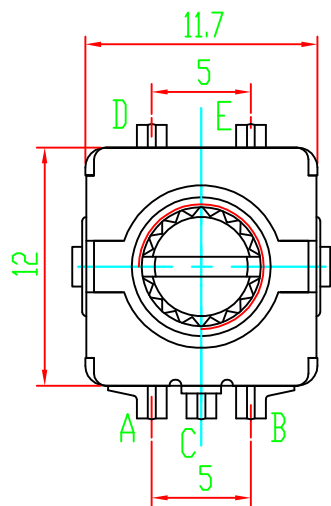


Shaft Shown in Full  
C.C.W. Position



P.C.B MOUNTING DETAIL

L	15	20	23	
L1	7.5	12.5	15.5	
T	5.5	9	11	
N	7	7	7	

02				05			
01				04			
	DATE	REVISION	APPROVED	03			

MODEL: EC11-1S-D7\*4.5-L15KQ 螺纹轴套

DRAWING NO:



常州宇豪电子有限公司

CHANGZHOU YUHAO ELECTRONIC CO.,LTD.

DRAW	CHKD	APPD
------	------	------