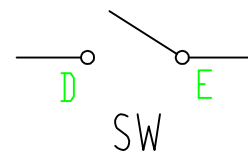
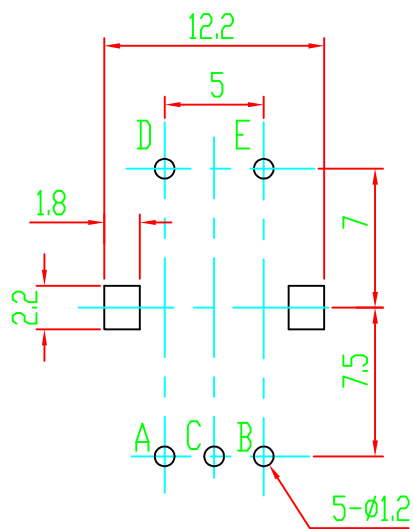
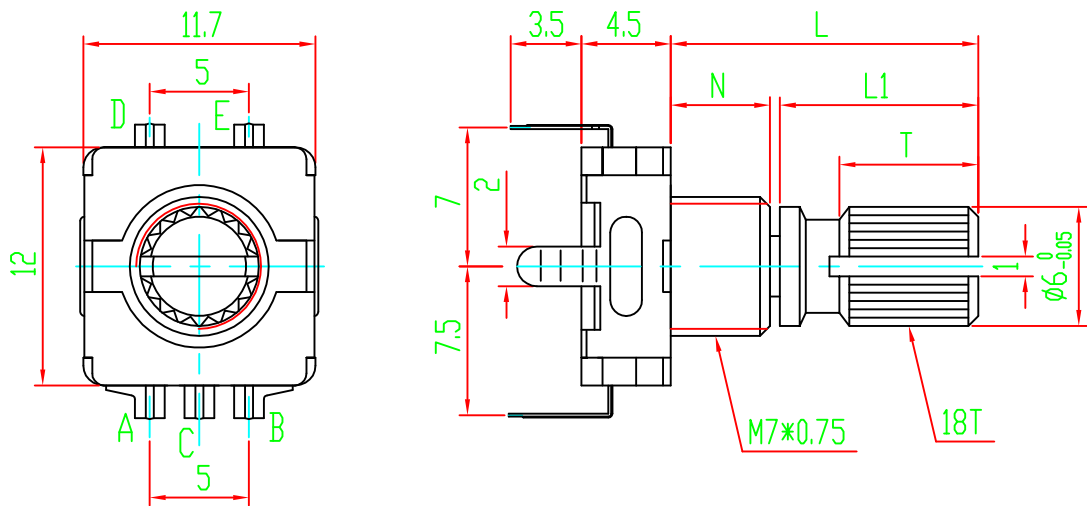



Shaft Shown in Full
C.C.W. Position



P.C.B MOUNTING DETAIL

L	12.5	13	15	17
L1	7	7.5	9.5	11.5
T	5	5.5	7.5	9
N	5	5	5	5

02				05					
01				04					
	DATE	REVISION	APPROVED	03					
			MODEL: EC11-1S-D5*4.5-L15KQ 螺纹轴套				DRAWING NO:		
			 常州宇豪电子有限公司 CHANGZHOU YUHAO ELECTRONIC CO.,LTD.						
DRAW	CHKD	APPD							