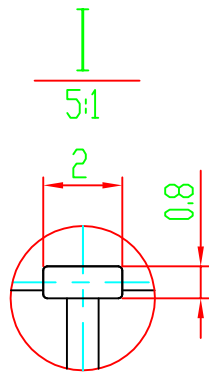
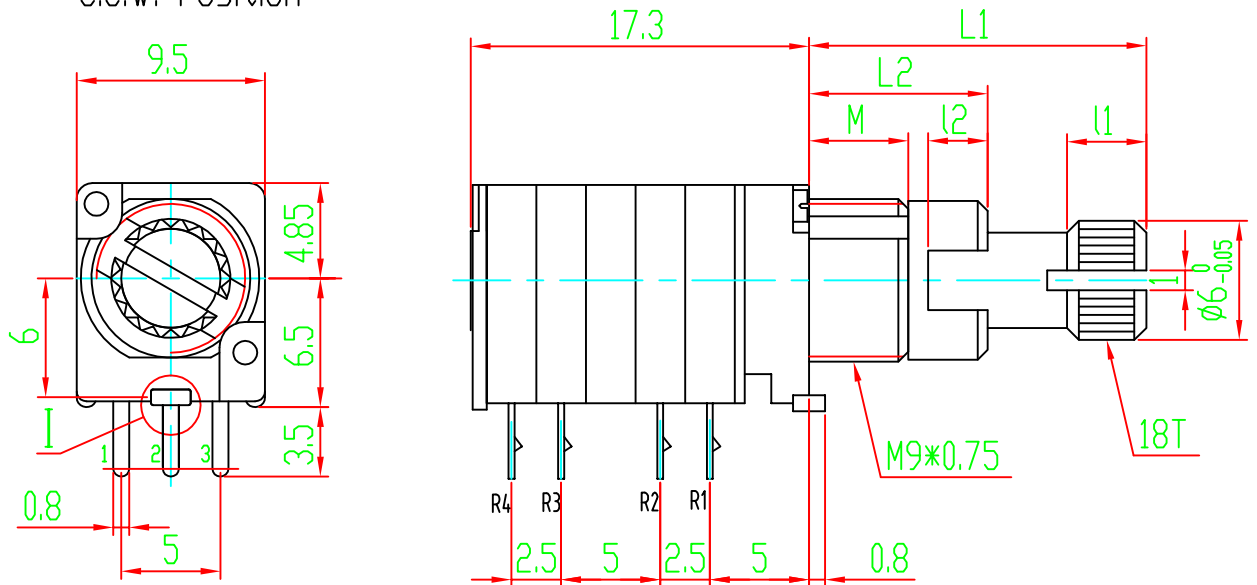
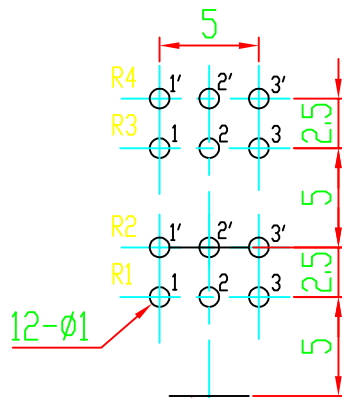


Shaft Shown in Full
C.C.W. Position



P.C.B MOUNTING DETAIL



Mounting Surface

| | |
|---|---|
| M | 5 |
| | 7 |

| | | | |
|----|----|--|--|
| L1 | 17 | | |
| L2 | 9 | | |
| l1 | 4 | | |
| l2 | 3 | | |

| | | | | | | | |
|----|------|----------|----------|----|--|--|--|
| 02 | | | | 05 | | | |
| 01 | | | | 04 | | | |
| | DATE | REVISION | APPROVED | 03 | | | |

MODEL: WH9011AD-4 L17 18T 铜轴 双轴

DRAWING NO:



常州宇豪电子有限公司

CHANGZHOU YUHAO ELECTRONIC CO.,LTD.

| | | |
|------|------|------|
| DRAW | CHKD | APPD |
|------|------|------|