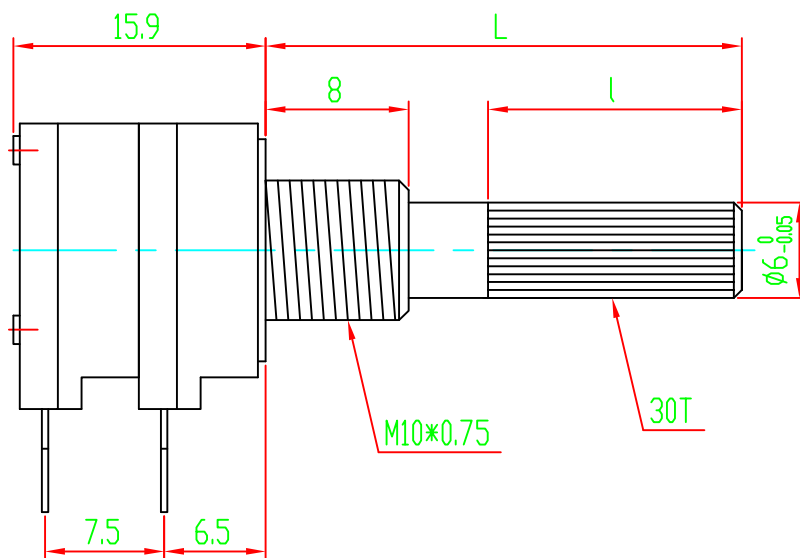
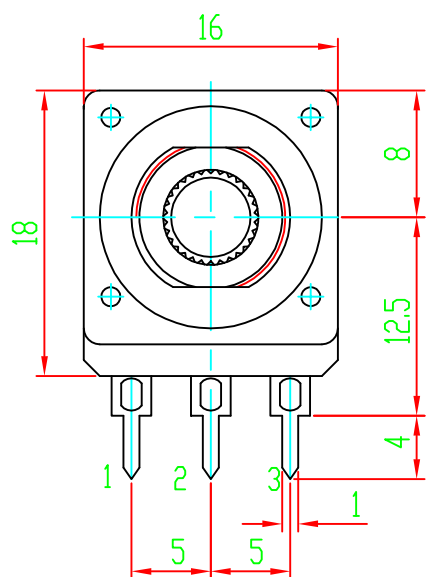
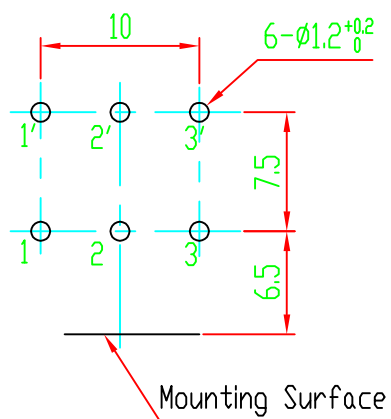


Shaft Shown in Full
C.C.W. Position



P.C.B MOUNTING DETAIL



L	19	20	24	30	45
l	8.5	8.5	8.5	16	31.5

02				05		
01				04		
	DATE	REVISION	APPROVED	03		

MODEL: WH0162-1B-2 L30 30T

DRAWING NO:



常州宇豪电子有限公司

CHANGZHOU YUHAO ELECTRONIC CO.,LTD.

DRAW	CHKD	APPD
------	------	------