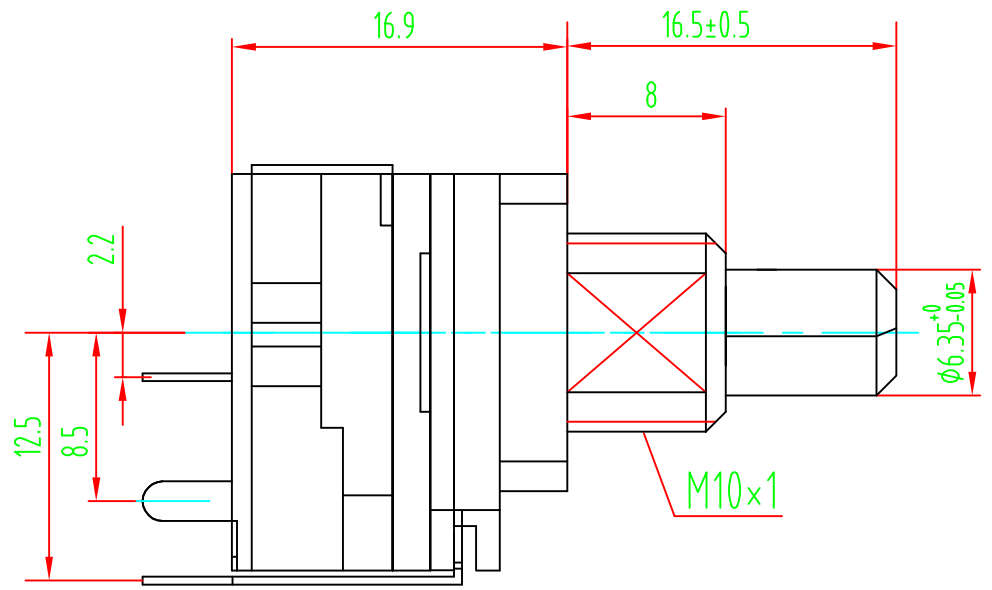
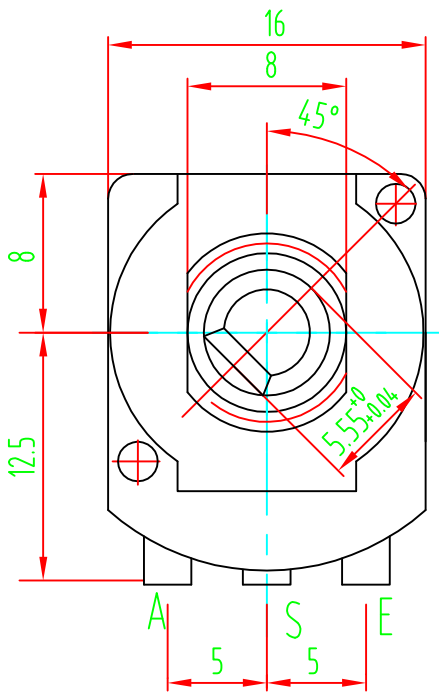
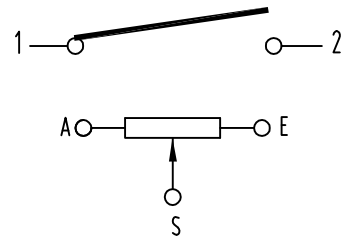
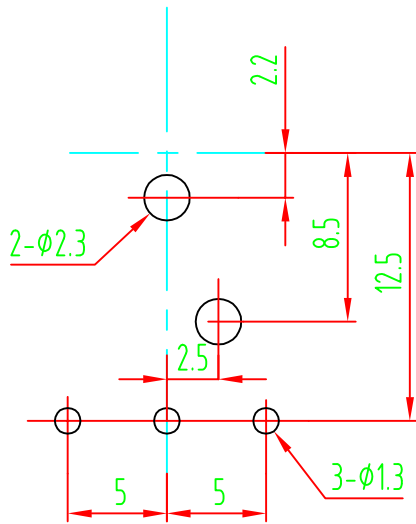


Shaft Shown in Full
C.C.W. Position



P.C.B MOUNTING DETAIL



02				05			
01				04			
	DATE	REVISION	APPROVED	03			
			MODEL: WH16AK L16.5F				DRAWING NO:
			常州宇豪电子有限公司				
DRAW	CHKD	APPD					