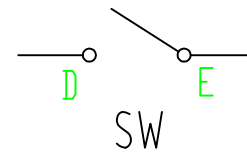
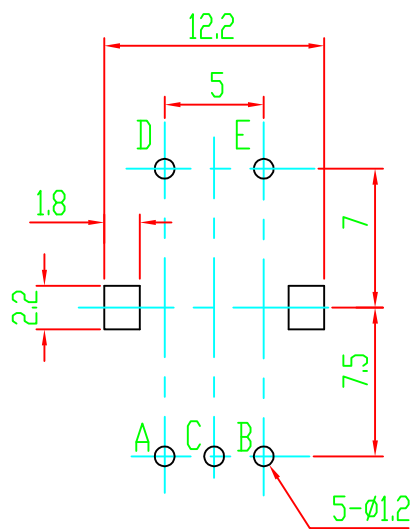
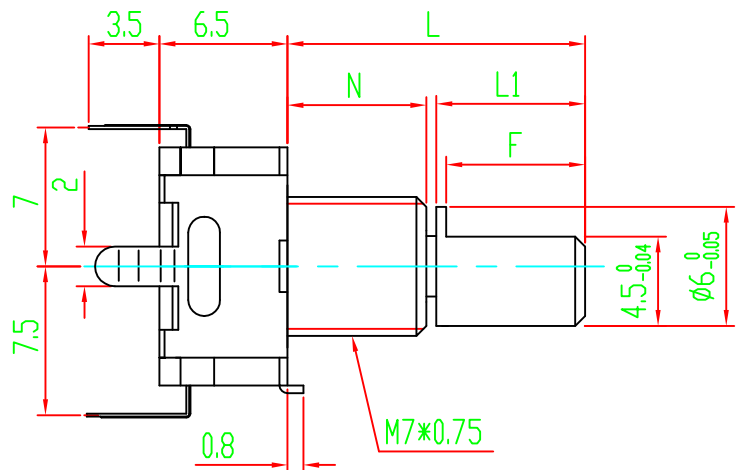
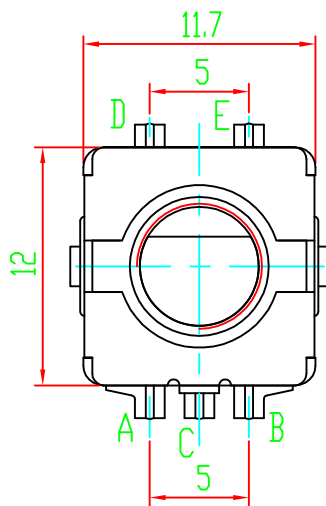



Shaft Shown in Full
C.C.W. Position



P.C.B MOUNTING DETAIL

| | | | | | | | | | |
|----|-----|-----|-----|------|------|------|------|------|------|
| L | 13 | 15 | 15 | 18 | 20 | 23.5 | 24.5 | 25 | 30 |
| L1 | 5.5 | 7.5 | 7.5 | 10.5 | 12.5 | 16 | 17 | 17.5 | 22.5 |
| F | 5 | 5 | 7 | 7 | 10 | 12 | 12 | 12 | 12 |
| N | 7 | 7 | 7 | 7 | 7 | 7 | 7 | 7 | 7 |

| | | | | | | | |
|------|------|----------|--|----|--|--|-------------|
| 02 | | | | 05 | | | |
| 01 | | | | 04 | | | |
| | DATE | REVISION | APPROVED | 03 | | | |
| | | | MODEL: EC11-1S-D7*6.5-L15F7 螺纹轴套 | | | | DRAWING NO: |
| | | |  常州宇豪电子有限公司 CHANGZHOU YUHAO ELECTRONIC CO.,LTD. | | | | |
| DRAW | CHKD | APPD | | | | | |